

Miniature Dry Floating Scroll Vacuum Pump, SVF-100

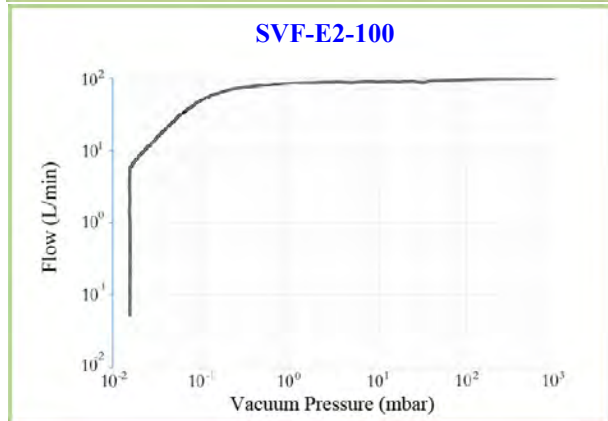
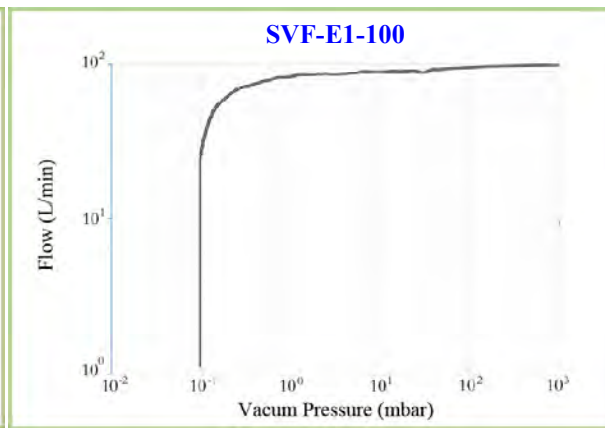
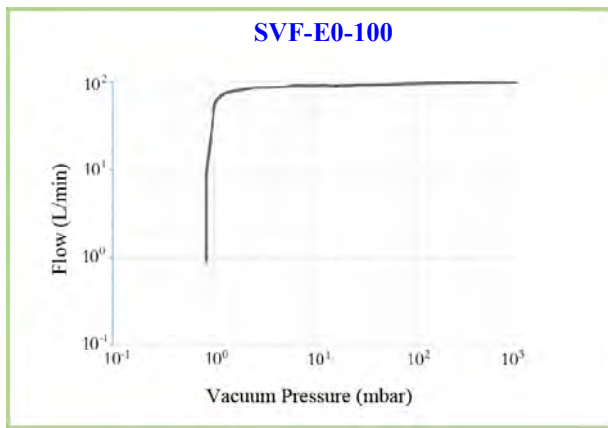
- Patented floating scroll technology
- 100% Oil-free, maintenance-free and clean
- Maximum pumping speed 100 L/min
- Lowest vacuum pressure: < 3 Pa
- Compact, light weight and ideal portable vacuum equipment
- Applications: analytical instruments (mass spectrometer, canister cleaning system), laboratory equipment (such as lyophilizer), backing pumps for turbopumps, plasma cleaning, vacuum packaging



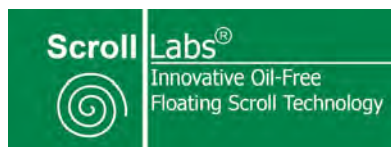
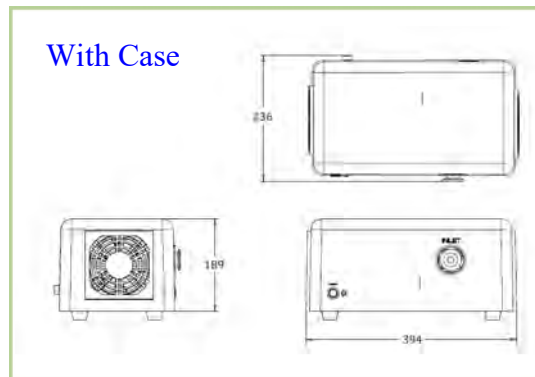
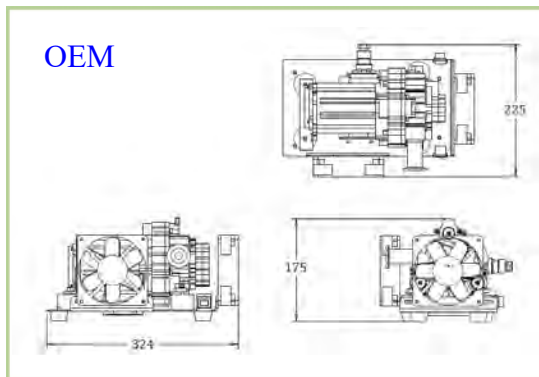
Specifications

Model	SVF-E0-100	SVF-E1-100	SVF-E2-100
Pumping Speed	100 L/min	100 L/min	100 L/min
Ultimate Vacuum	≤ 1 mbar (100 Pa)	≤ 0.1 mbar (10 Pa)	≤ 0.03 mbar (3Pa)
Motor Power	350 W	350 W	350 W
Rated Power	200 W	200 W	200 W
Motor Type	Brushless DC Motor	Brushless DC Motor	Brushless DC Motor
DC Voltage	48 VDC	48 VDC	48 VDC
AC Voltage (for Power Adapter)	100 - 240 VAC	100 - 240 VAC	100 - 240 VAC
Max. RPM	4000 RPM	4000 RPM	4000 RPM
Moisture	No Limit	No Limit	No Limit
Max. Inlet Pressure	No Limit	No Limit	No Limit
Max. Outlet Pressure	1 bar (gauge)	1 bar (gauge)	1 bar (gauge)
Noise Level (OEM)	60 dB(A)	60 dB(A)	60 dB(A)
Noise Level (with Case)	55 dB(A)	55 dB(A)	55 dB(A)
Weight (OEM)	5.4 kg	5.4 kg	5.4 kg
Weight (with Case)	6.8 kg	6.8 kg	6.8 kg
Dimensions (OEM)	324×225×175mm	324×225×175mm	324×225×175mm
Dimensions (with Case)	394×236×189mm	394×236×189mm	394×236×189mm
Inlet / Outlet Fittings	KF-25 or G 3/8"	KF-25 or G 3/8"	KF-25 or G 3/8"
Cooling	Air cooled	Air cooled	Air cooled
Ambient Temperature	-40°C to 50°C	-40°C to 50°C	-40°C to 50°C

Pumping Curves



Dimensions (Unit: mm)



Website: www.scrolllabs.com Email: info@scrolllabs.com
 Phone: (630) 783-2608 Fax: (630) 783-2609
 Address: 479 Quadrangle Drive, Suit G, Bolingbrook, IL 60440