

Magnetically Levitated Turbo Molecular Pump

TMP-04 Series

In spite of the simple and compact design, these models provide excellent pumping performance and high energy-saving performance.

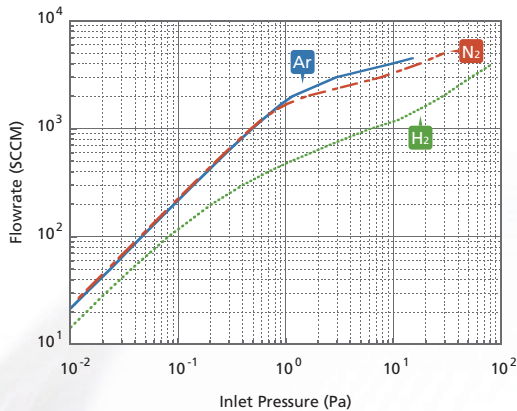
This series is a high pumping throughput type that can be used across a wide pressure range to continuously exhaust large quantities of gas stably.



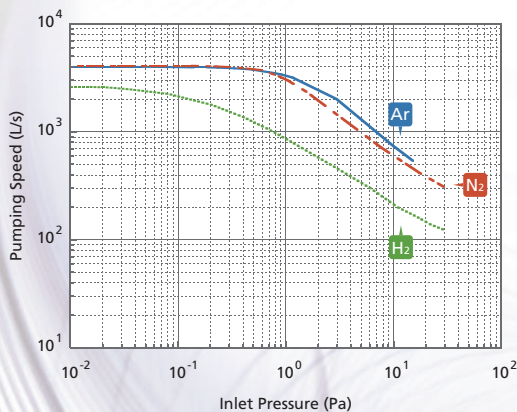
Improved Pumping Performance

For vacuum process of $\phi 300$ mm wafers and large LCD glasses, pumping speed is significantly improved in the 1 to 5 Pa range in comparison to conventional models. These pumps can exhaust larger flowrate gas while maintaining the vacuum pressure.

Gas Throughput Curve (TMP-4304)

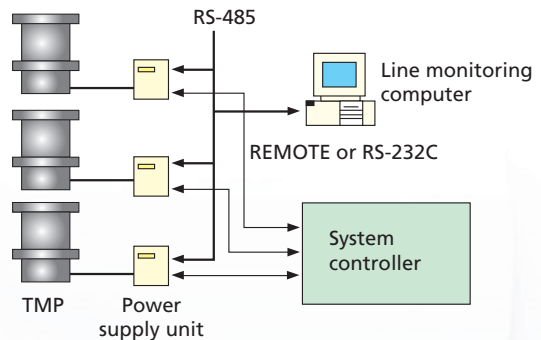


Pumping Speed Curve (TMP-4304)



Network Connection Enabled

Equipped with RS-232C and RS-485-compatible serial communication ports, which enable operations to start/stop the TMP, monitor operational status, and read out the operational log. Thanks to the optional monitor software, up to 32 TMPs can be monitored using a single computer via RS-485 communications.



By-Product-Resistant

Thanks to the rotor coating and pump temperature control, the pump is fully protected from by-products generated by semiconductor and LCD etching process. (Inquire separately regarding the detailed specifications.)

Compact and Highly Functional

All the pumps in the 03 series and 04 series can be supported by two types of power supplies. In addition, they can be operated without adjustment procedures even when the combination of pumps, power supplies, and cables (3 to 30 m in length) is changed.



TMP-04 Series

Turbomolecular Pump Model	TMP-2404LMC	TMP-2804LMC	TMP-3304LMC (0)	TMP-3804LMC	TMP-4304LMC		
Compatible Power Supply Unit	EI-R04M						
Inlet Flange	VG250 ISO250B	VG250 ISO250B	VG300 VG350 ISO320B	VG300 ISO320B	VG350		
Outlet Flange	KF40						
Pumping Speed *1	N ₂	2100 L/s	[VG250] 2800 L/s [ISO250B] 2500 L/s	3200 L/s	[VG300] 3800 L/s [ISO320B] 4000 L/s	4400 L/s	
	H ₂	1770 L/s	2100 L/s	2000 L/s	2200 L/s	2500 L/s	2500 L/s
Rated Speed	27000 rpm	27600 rpm	27600 rpm	24000 rpm	24000 rpm		
Ultimate Pressure (after baking)	10 ⁻⁷ Pa order						
Maximum Allowable Inlet Pressure During N ₂ Continuous Exhaust	40 Pa						
Maximum Allowable Outlet Pressure During N ₂ Continuous Exhaust	270 Pa						
Weight	70 kg	84 kg	84 kg	115 kg	105 kg		

*1: Without a protective net.

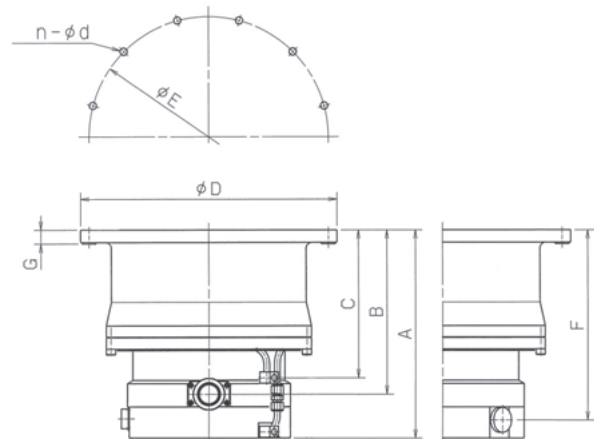
If the protective net is used, the pumping speed for N₂ gas will be as follows: TMP-2404: 2000 L/s; TMP-2804 (VG250): 2550 L/s; (ISO250B): 2300 L/s; TMP-3304 (0): 2900 L/s; TMP-3804 (VG300): 3450 L/s; (ISO320B): 3600 L/s; TMP-4304: 4000 L/s.

Power Supply Unit Model	EI-R04M				
Compatible Pump	TMP-2404LMC	TMP-2804LMC	TMP-3304LMC (0)	TMP-3804LMC	TMP-4304LMC
Input Power Supply	Voltage	Single phase 200 to 240 V AC ±10 % (50/60 Hz ±2 Hz)			
	Maximum Power	1.5 kVA			
Weight	8 kg				

External Appearance

Units: mm

Model	Inlet Flange	A	B	C	øD	øE	n-ød	F	G
TMP-2804LMC	VG250	409	331	303	ø350	ø320	12-ø15	377	16
	ISO250B	409	331	303	ø335	ø310	12-ø11	377	17.6
TMP-3304LMC (0)	VG300	365	288	259	ø400	ø370	12-ø13	333	22
	VG350	365	288	259	ø450	ø420	12-ø13	333	24.5
TMP-3804LMC	ISO320B	370	292	264	ø425	ø395	12-ø13	338	22.5
	VG300	420	342	314 / 409	ø400	ø370	12-ø13	388	20.5
TMP-4304LMC	ISO320B	420	342	314 / 409	ø425	ø395	12-ø13	388	24.5
	VG350	370	292	264 / 359	ø450	ø420	12-ø13	338	24.5



Shimadzu Corporation
www.shimadzu.com/industry/

Company names, product/service names and logos used in this publication are trademarks and trade names of Shimadzu Corporation or its affiliates, whether or not they are used with trademark symbol "TM" or "®". Third-party trademarks and trade names may be used in this publication to refer to either the entities or their products/services. Shimadzu disclaims any proprietary interest in trademarks and trade names other than its own.

For Research Use Only. Not for use in diagnostic procedures.

The contents of this publication are provided to you "as is" without warranty of any kind, and are subject to change without notice. Shimadzu does not assume any responsibility or liability for any damage, whether direct or indirect, relating to the use of this publication.

© Shimadzu Corporation, 2015

Printed in Japan 5001-12501-500IT